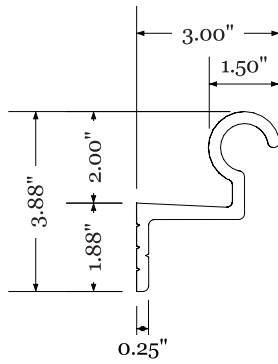
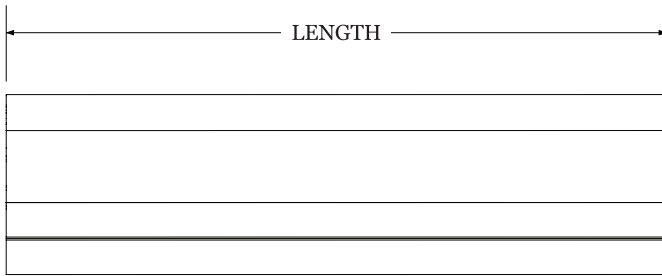


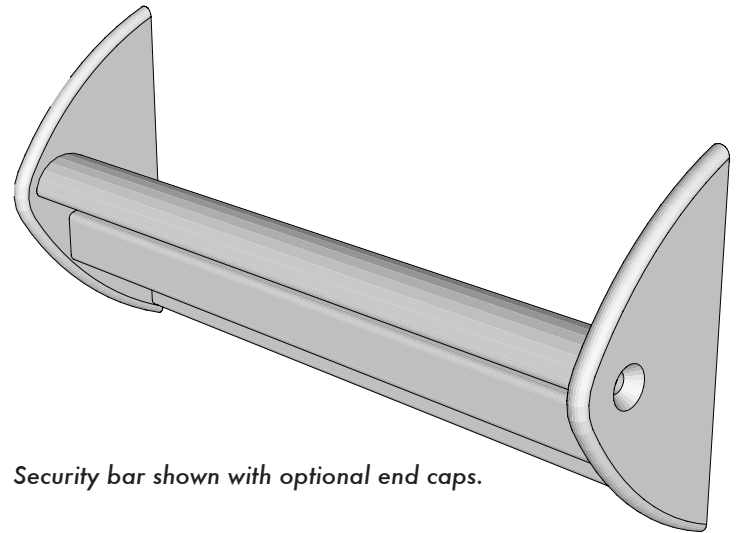
NW Security Bar®



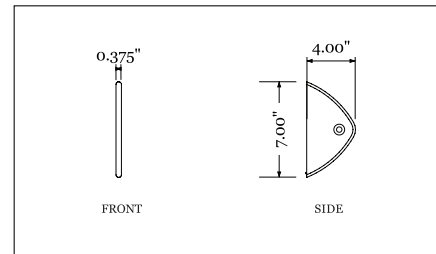
SIDE



FRONT



Security bar shown with optional end caps.



DETAIL OF END CAP

OVERVIEW

Security grab bar for use in toilet rooms, shower stalls, bathtubs and at other locations required to provide assistance for persons with disabilities or mobility impairments.

FABRICATION

Extruded from 6063-T5 aluminum alloy and treated with a clear anodized surface. All edges are radiused and carefully finished.

MATERIAL

- 6063-T5 aluminum alloy.

FINISH

Clear anodized surface with brush finish look.

WEIGHT

TBD

OPTIONS

- Sizes: 18", 24", 30", 32", 36", 42", 48", 54". Custom lengths and configurations also available.
- End caps for anti-ligature applications. Please specify when ordering.

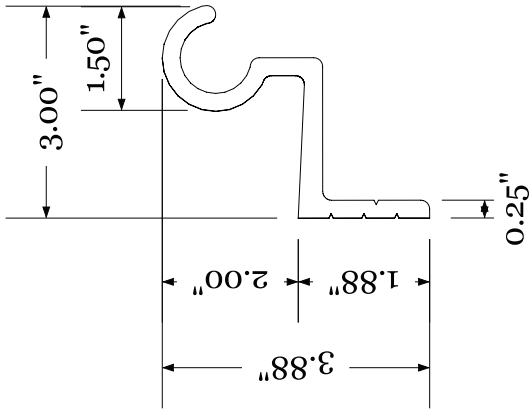
INSTALLATION

Anchor into wall.*

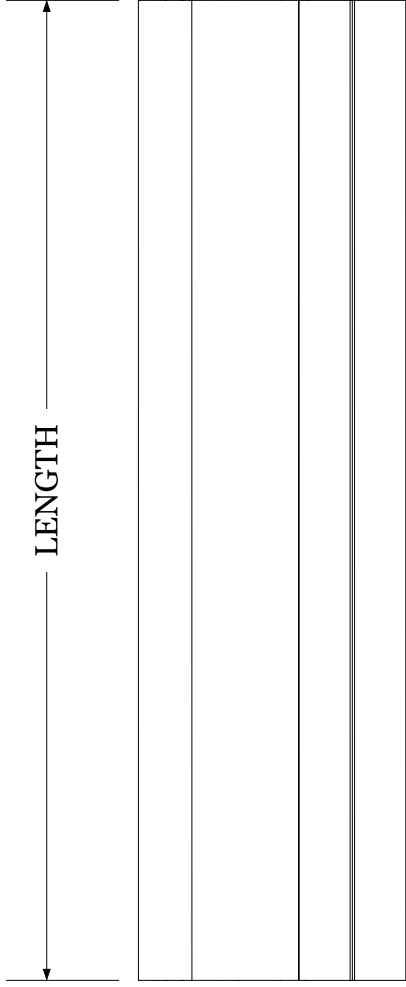
MAINTENANCE

Normal cleaning with a dry cloth or non-acidic detergent.

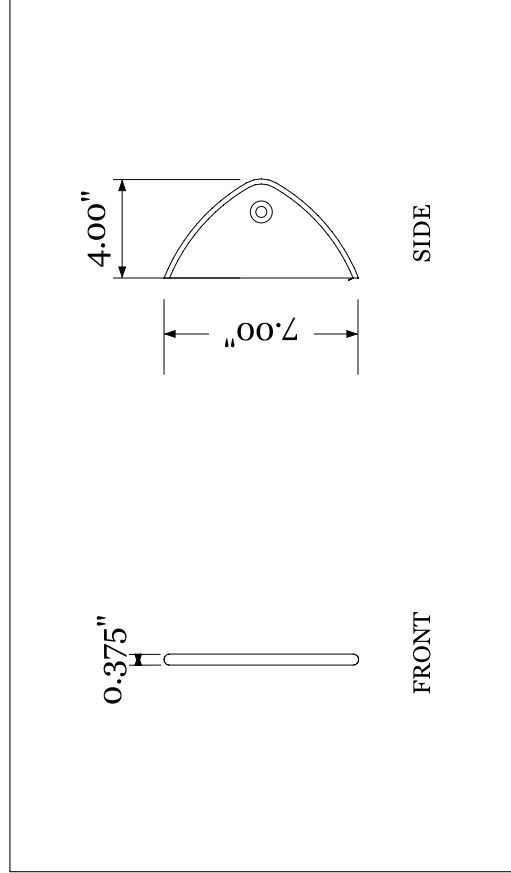
*Wall mounting hardware not included.



SIDE



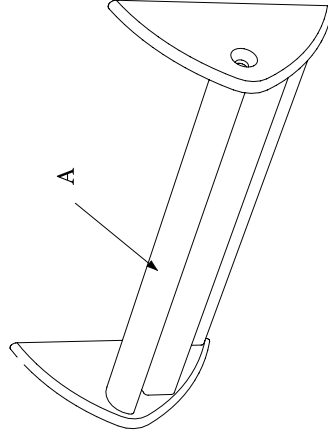
FRONT



FRONT

SIDE

DETAIL OF END CAP



Security bar shown with optional end caps

ITEM	DESCRIPTION	QTY
A	GRAB BAR, EXTRUDED ALUMINUM ALLOY, 6063-T5	1

UNLESS OTHERWISE SPECIFIED:
DIMENSIONS ARE IN INCHES
.XX = ±.030" .XXX = ±.010" ANGLE = ±1°



NW SecurityBar

REVISIONS

	MM/DD/YY	REMARKS
1	--/--/--	...
2	--/--/--	...
3	--/--/--	...
4	--/--/--	...
5	--/--/--	...

100

A